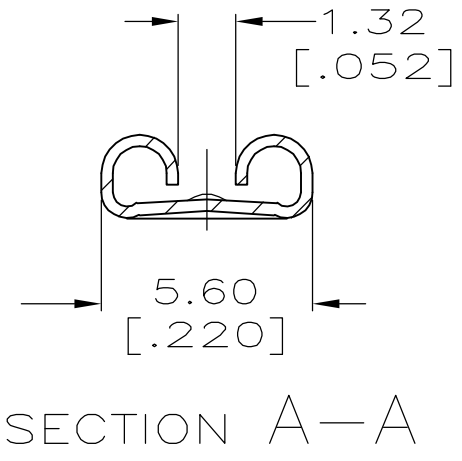
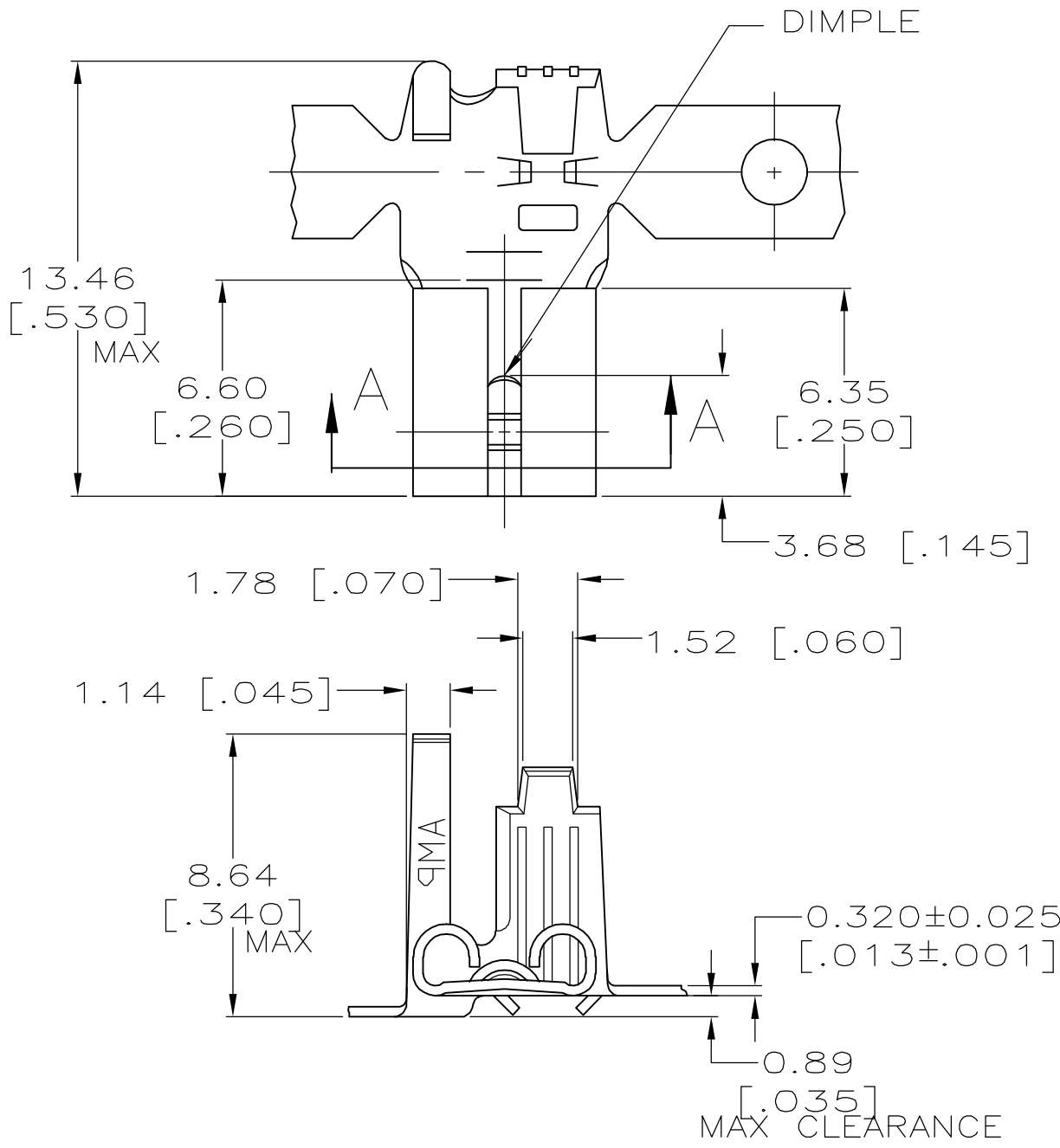


THIS DRAWING IS UNPUBLISHED. RELEASED FOR PUBLICATION  
 © COPYRIGHT BY TYCO ELECTRONICS CORPORATION. ALL RIGHTS RESERVED.

LOC	DIST	REVISIONS			
P	LTR	DESCRIPTION	DATE	DWN	APVD
AF	50	E1	REV PER ECR 06-028943	13DEC06	JR PD

- CONTINUOUS STRIP ON REELS.
- ACCEPTS [#20-#16] AWG WIRE.
- INSULATION RANGE TO BE 2.79-4.32 [.110-.170] DIA.
- MATING TAB THICKNESS TO BE  $0.51 \pm 0.025$  [.020 ± .001]
- FEED TO BE  $16.38 \pm 0.13$  [.645 ± .005]



0.002032 [.000080] MIN TIN	42618-2
-	42618-1
FINISH	PART NO.

THIS DRAWING IS A CONTROLLED DOCUMENT.		DWN	JR RUTH	1/25/96	Tyco Electronics Corporation Harrisburg, PA 17105-3608			
DIMENSIONS: MM [ INCHES ]		CHK	P FORTNEY	1/25/96				
TOLERANCES UNLESS OTHERWISE SPECIFIED:		APVD	P DESANTIS	1/25/96	NAME RECEPTACLE, FASTON, FLAG, MOLDABLE, 4.75 [.187] SERIES			
0 PLC ± - 1 PLC ± - 2 PLC ± 0.38 [.015] 3 PLC ± - 4 PLC ± - ANGLES ± -		PRODUCT SPEC	-			SIZE	A3	
MATERIAL	H04 BRASS	FINISH	SEE TABLE	WEIGHT	-	CAGE CODE	00779	
CUSTOMER DRAWING				DRAWING NO	C-42618		RESTRICTED TO	-
				SCALE	5:1	SHEET	1 OF 1	
				REV	E1			